

KFC-P306

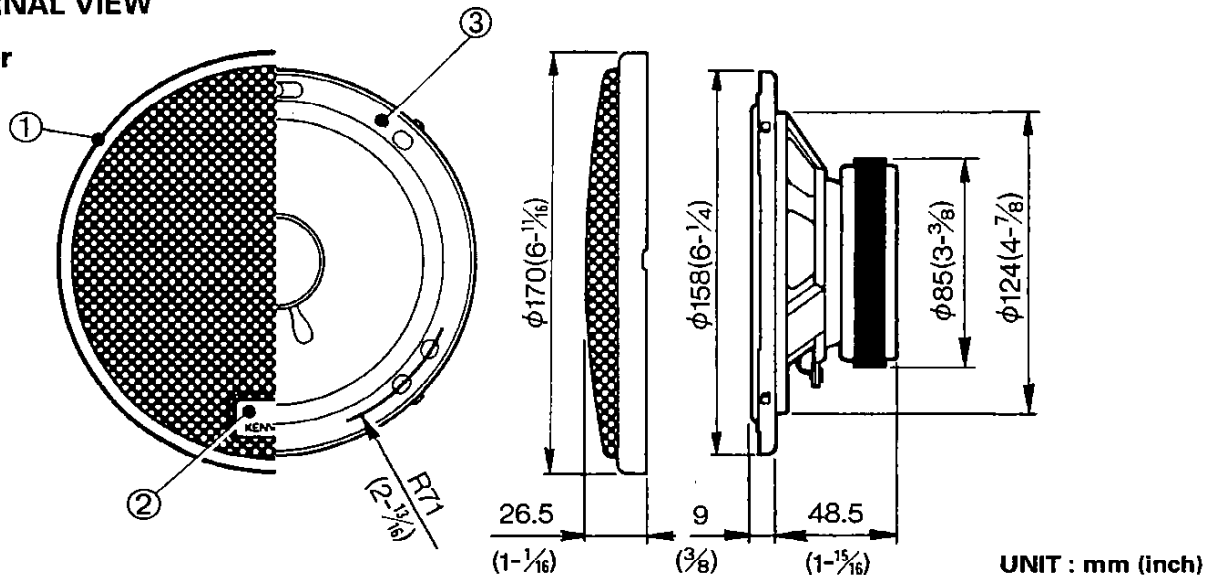
SERVICE MANUAL

KENWOOD

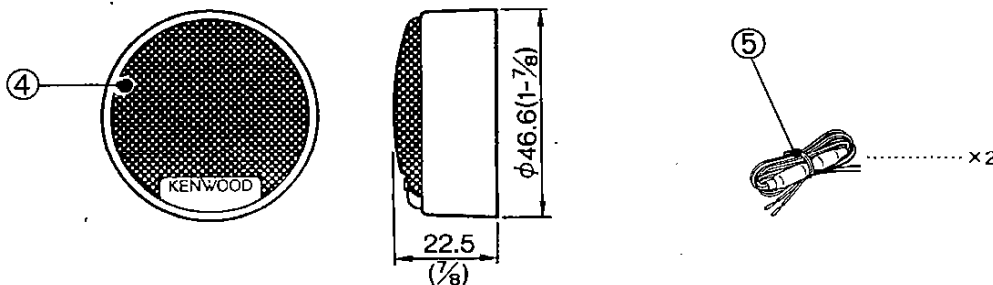
© 1994-3 PRINTED IN JAPAN
B51-6702-00(N) 1253

EXTERNAL VIEW

Woofer



Tweeter



SPECIFICATIONS

Woofer	160mm (6in) Sheet P.P. Cone Type
	275g (9.7oz) Magnet
Tweeter	25mm (1in) P.P.T.A Balanced Dome Type
Peak power	150Watts
Frequency Response	50Hz~20,000Hz
Sensitivity	90dB/W at 1m
Impedance	4 Ohms
Weight Per Speaker with Grille	
Woofer	2,000g (4.4lb)/Pair
Tweeter	140g (5 oz)/Pair
Passive Crossover Network	
Crossover Frequency	6,000Hz

PARTS LIST

*New parts
Parts without **Parts No.** are not supplied.
Les articles non mentionnés dans le **Parts No.** ne sont pas fournis.
Teile ohne **Parts No.** werden nicht geliefert.

Ref No.	New Parts	Parts No.	Description
①	*	B06-0848-08	GRILLE SET
②	*	B43-0934-08	BADGE SET
⑤	*	L75-2050-08	NETWORK
-	*	N99-1277-08	SCREW SET
④	*	T03-0467-08	TWEETER
③	*	T10-0634-08	WOOFER

We follow a policy of advancements in development. For this reason specifications may be changed without notice.